

## Single Drum Vibratory Rollers BW124DH-3, BW124PDH-3



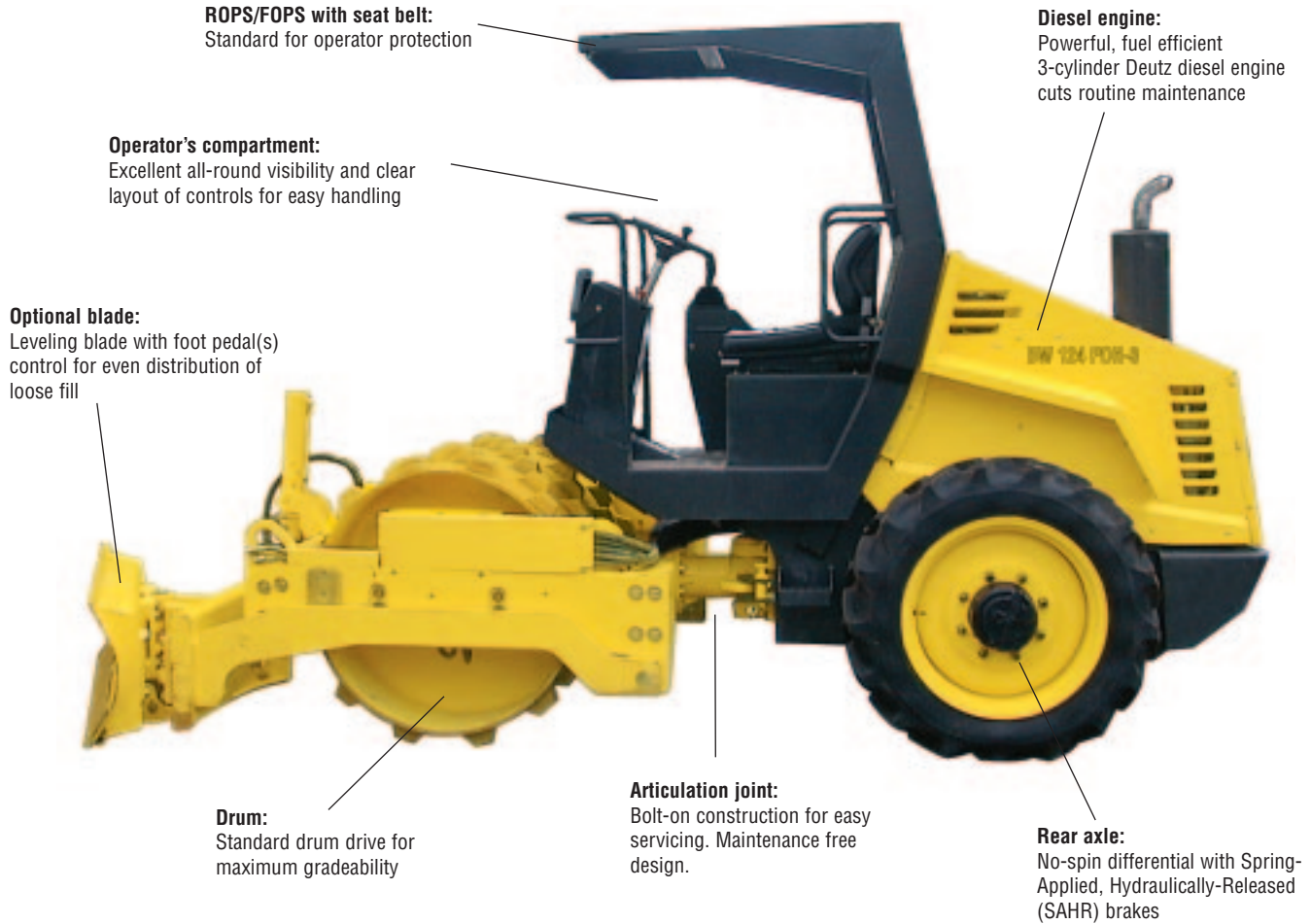
MODEL	Compaction Output (cu. yd/h) at recommended soil layer/lift thickness. *			
	Rock Fill	Gravel, Sand	Mixed Soils	Silt, Clay
BW124DH-3	-	137 - 275	98 - 196	52 - 118
BW124PDH-3	-	137 - 275	98 - 196	65 - 131

MODEL	Compaction Layer Thickness (in).*			
	Rock Fill	Gravel, Sand	Mixed Soils	Silt, Clay
BW124DH-3	-	14	10	6
BW124PDH-3	-	14	10	8

\* Compaction output influenced by soil/material type and moisture content.



# BW124 Series



## ■ *The BW124 Series - The right choice for your soil compaction applications...*

BOMAG draws on its millions of application hours in the single drum market to create a series of machines with large roller features yet compact enough to work in confined areas. The BW124-3 series combines dual travel pumps, no-spin differential and standard drum drive for enhanced tractive effort and gradeability. A powerful EPA certified 3 cylinder diesel engine offers superior fuel economy while delivering ample power for the most demanding applications.

The bolt-on centerjoint provides 35 degrees articulation and 12 degrees oscillation, supplying unmatched maneuverability and full drum contact on irregular terrain. Right hand console positioned travel control lever provides positive control of travel direction and speed. The compact design provides optimal visibility and maneuverability, making this series ideal for a wide range of light duty to large scale compaction applications.

### ■ Applications:

- Road construction
- Site preparation
- Embankment compaction
- Trench work



*Excellent all-around tractive effort and 55 + percent (%) gradeability are achieved with a standard dual travel pump design, no-spin differential and radial piston drum drive travel motor.*

## Featuring...



Locking, two (2) position engine hood opens to provide access to the reverse positioned engine, all critical components and maintenance items.

### ■ Handling is Easier & Safer:

- Console positioned travel lever controls speed and directional changes.
- Operator's platform with adjustable seat ensures operator's comfort.
- Engine exhaust and noise are directed away from the operator.
- Strategic positioning of controls makes operation easy and comfortable.
- Compact design and excellent visibility enhances maneuverability and safety for jobsite operation.
- Rubber buffer, solid block isolators, minimize vibration energy transmitted by the drum and allows for extended, fatigue free operation. Buffers can be individually serviced without drum removal.
- ROPS / FOPS structure with seat belt is standard, for increased operator safety.
- Foot pedal controlled optional leveling blade system, provides precise operation and increased productivity.

## Compact design provides optimal visibility and maneuverability

### ■ Achieve Maximum Productivity:

- Rugged no-spin differential with standard drum drive provides maximum gradeability and tractive effort.
- Standard dual amplitude and optimized frequency combines to provide high centrifugal forces for maximum compaction on a wide variety of material types.
- Powerful 3 – cylinder diesel engine provides ample power even under extreme operating conditions.
- The smooth drum model, BW124DH-3, quickly and efficiently compacts granular and mixed soils.
- The Padfoot model(s), BW124PDH-3 and BW124PDH-3 +blade, deliver maximum productivity on semi-cohesive and cohesive materials.
- The BW124PDH-3 + blade, quickly and efficiently spreads and levels irregular surface material with its leveling blade.
- Lockable engine hood and control panel area protects fluid access points and instruments against vandalism and helps reduce damage related downtime.
- Recessed drum frame bolt holes avoid rounding and shearing off bolt heads when working close to obstacles.
- Front frame is wider than rear tractor, reducing tire damage when working in confined areas.

### ■ Less Service & Maintenance:

The purchase price is important, but so are the operating costs. Check these features:

- Audible / visual warning indicators for engine oil pressure and temperature, air filter vacuum, brake control and hydraulic charge control.
- The articulation joint is heavy-duty for long service life; a transport lock is provided for protection.
- Vibratory drum mechanism is virtually maintenance free.
- The powerful SAHR (Spring Applied, Hydraulically Released) brakes are virtually maintenance free.
- Oil change intervals are extended with the BOMAG oil filter system up to 2000 hours or 2 years.
- The air / oil cooled Deutz diesel engine reduces maintenance under extreme operating conditions.
- The hydrostatic transmission eliminates gear boxes and mechanical drive components.
- Daily maintenance can be carried out quickly and easily.
- Pressure test ports are built directly into the hydraulic system for quick and simple analysis of all critical pressures.



Bolt-on centerjoint is maintenance-free, providing optimum steering and oscillation angles.



Optional blade system(s) is controlled by strategically positioned floor mounted foot pedals.



Right hand console positioned travel control lever easily regulates travel direction and speed.

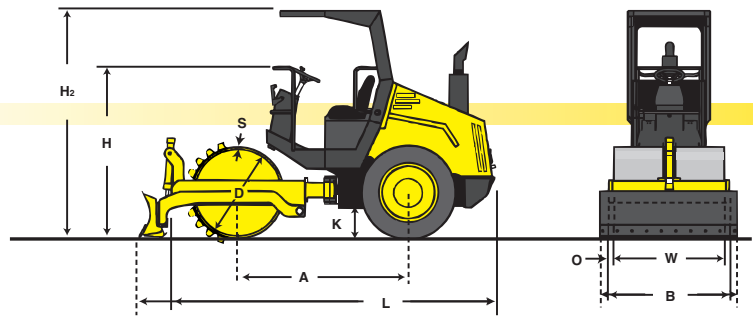
*With these features and many more, it's easy to see why these models maintain a high residual value while delivering lower lifetime operating costs.*

# Technical Specifications

## BW124 Series

### Shipping dimensions

in cubic feet (ft <sup>3</sup> )	without/with ROPS/FOPS	
BW 124 DH-3	286.7 (8.1)	371.9 (10.5)
BW 124 PDH-3	286.7 (8.1)	371.9 (10.5)
BW 124 PDH-3 w/blade	385.9 (10.9)	500.8 (14.2)



### Standard equipment

- Hydrostatic travel and vibration drives
- Articulated centerjoint lock
- Hydrostatic steering
- Rear axle with Spring-Applied, Hydraulically Released (SAHR) brakes
- No-Spin differential
- Lockable control panel
- Hour meter
- Warning horn
- Fuel level indicator
- Audible / visual warning indicators:
  - Engine oil pressure
  - Engine temperature
  - Air filter vacuum
  - Brake control
  - Charge control
- Floor positioned foot controls for travel direction and speed.
- Seat is adjustable for position and height
- Scrapers
- Towing hooks front and rear
- Emergency STOP
- ROPS / FOPS with seat belt
- Back-up alarm
- Working Lights (front & rear)

### Optional equipment

- Special paint
- Leveling blade
- Leveling blade w/ angle mechanism

\*\* Optional leveling blade is for surface profiling/contouring and backdragging of loose fill material only. This design is not intended to function as a device for excavation purposes.

### Dimensions

in inches (mm)	A	B	D	H	H <sub>2</sub>	K	L	O	S	W
BW 124 DH-3	71.1 (1805)	51.6 (1310)	37.8 (960)	72.8 (1850)	94.5 (2400)	12.6 (320)	131.9 (3350)	2.2 (55)	0.59 (15)	47.2 (1200)
BW 124 PDH-3	71.1 (1805)	51.6 (1310)	35.0 (890)	72.8 (1850)	94.5 (2400)	12.6 (320)	131.9 (3350)	2.2 (55)	0.59 (15)	47.2 (1200)
BW 124 PDH-3 w/blade	71.1 (1805)	59.6 (1515)	35.0 (890)	72.8 (1850)	94.5 (2400)	12.6 (320)	153.5 (3900)	2.2 (55)	0.59 (15)	47.2 (1200)

### Technical data

#### Weights

	lb	(kg)	BOMAG BW 124 DH-3	BOMAG BW 124 PDH-3	BOMAG BW 124 PDH-3 w/blade
Basic weight	7055	(3200)	7165	(3250)	7826
Operating weight with ROPS/FOPS	7275	(3300)	7385	(3350)	8047
Axle load, drum	3527	(1600)	3638	(1650)	4299
Axle load, wheels	3748	(1700)	3748	(1700)	3748
Static linear load (drum)	74.7	(13.3)	—	—	—

#### Dimensions

	in	(mm)	BOMAG BW 124 DH-3	BOMAG BW 124 PDH-3	BOMAG BW 124 PDH-3 w/blade
Working width	47.2	(1200)	47.2	(1200)	47.2
Track radius, inner	88.2	(2240)	88.2	(2240)	88.2
Dimensions	see sketch	see sketch	see sketch	see sketch	see sketch

#### Driving characteristics

	mph	(km/h)	BOMAG BW 124 DH-3	BOMAG BW 124 PDH-3	BOMAG BW 124 PDH-3 w/blade
Speed (1)	0-5.6	(0-9)	0-5.6	(0-9)	0-5.6
Maximum gradeability	55	—	55	—	55

#### Drive

	Deutz D2011 L03i	Deutz D2011 L03i	Deutz D2011 L03i
Engine manufacturer	Deutz	Deutz	Deutz
Model	D2011 L03i	D2011 L03i	D2011 L03i
Cooling - cylinder heads	air	air	air
Cooling - cylinder liners	oil	oil	oil
Number of cylinders	3	3	3
Performance ISO 9249	44 (33)	44 (33)	44 (33)
Speed	2500 rpm	2500 rpm	2500 rpm
Performance SAE J 1349	50 (37)	50 (37)	50 (37)
Speed	2800 rpm	2800 rpm	2800 rpm
Fuel	diesel	diesel	diesel
Electric equipment	12 V	12 V	12 V
Drive system	hydrostatic	hydrostatic	hydrostatic

#### Drums & Tires

	BOMAG BW 124 DH-3	BOMAG BW 124 PDH-3	BOMAG BW 124 PDH-3 w/blade
Number or pad feet	—	70	70
Area of one pad foot	—	12.6 (81)	12.6 (81)
Height of one pad foot	—	2.2 (55)	2.2 (55)
Tire size and tread design	9.5-24 4PR AWT	9.5-24 STR	9.5-24 STR

#### Brakes

	BOMAG BW 124 DH-3	BOMAG BW 124 PDH-3	BOMAG BW 124 PDH-3 w/blade
Service brake	hydrostatic	hydrostatic	hydrostatic
Secondary/Parking brake	SAHR	SAHR	SAHR

#### Steering

	BOMAG BW 124 DH-3	BOMAG BW 124 PDH-3	BOMAG BW 124 PDH-3 w/blade
Steering system	oscil. artic.	oscil. artic.	oscil. artic.
Steering method	hydrostatic	hydrostatic	hydrostatic
Steering angle ±	35 degrees	35 degrees	35 degrees
Oscillating angle ±	12 degrees	12 degrees	12 degrees

#### Vibratory system

	BOMAG BW 124 DH-3	BOMAG BW 124 PDH-3	BOMAG BW 124 PDH-3 w/blade
Drive system	hydrostatic	hydrostatic	hydrostatic
Frequency	2460/2460 (41/41) vpm (Hz)	2460/2460 (41/41)	2460/2460 (41/41)
Amplitude	0.067/0.033 (1.7/0.85) in (mm)	0.063/0.031 (1.6/0.8)	0.063/0.031 (1.6/0.8)
Centrifugal force	19125/9675 (85/43) lb (kN)	19125/9675 (85/43)	19125/9675 (85/43)

#### Capacities

	gal	(l)	BOMAG BW 124 DH-3	BOMAG BW 124 PDH-3	BOMAG BW 124 PDH-3 w/blade
Fuel	15.9	(60)	15.9	(60)	15.9

Subject to technical alterations. Models shown may include optional equipment.