

## K36 XZ

### TRUCK-MOUNTED CONCRETE BOOM PUMP

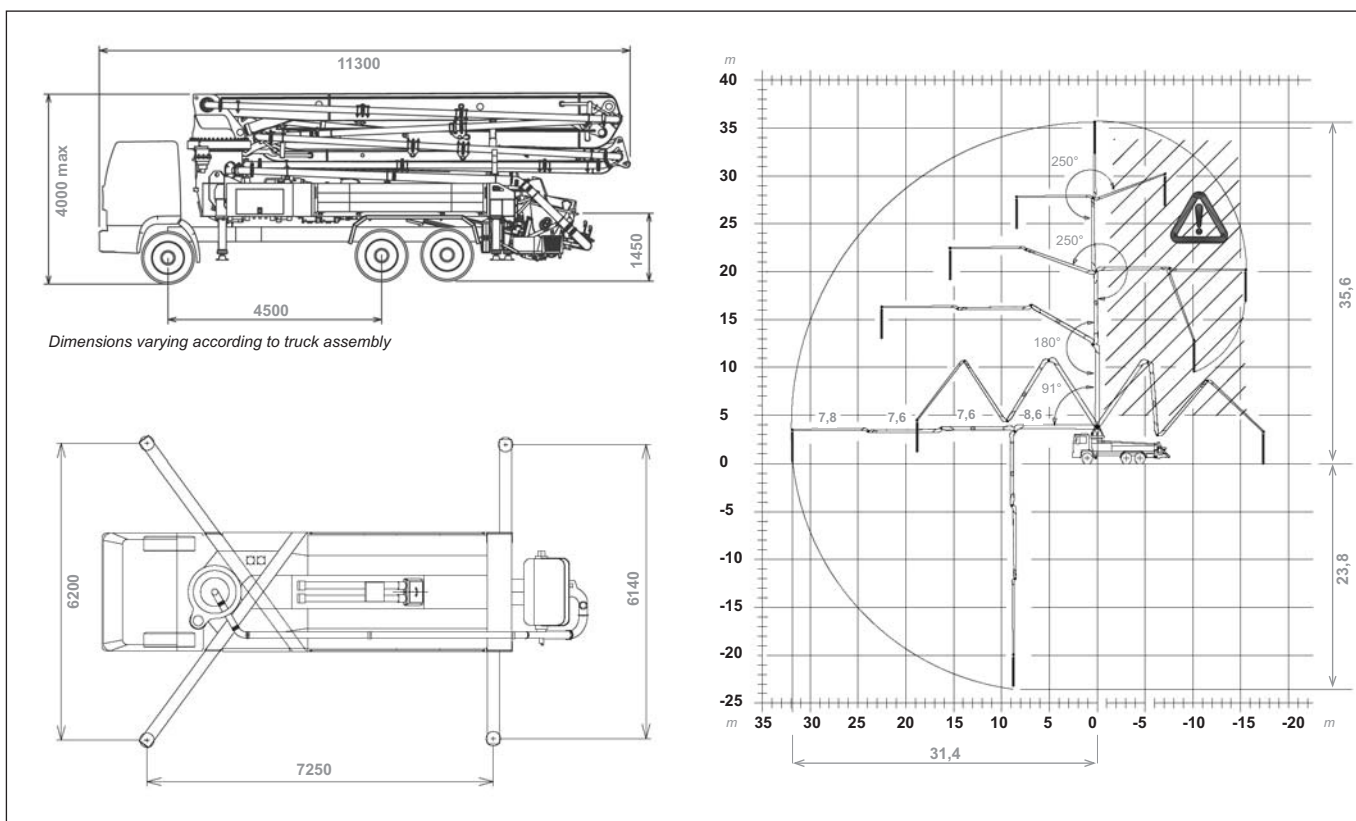
Placing boom  
Pumping unit

B5Z 36/32  
PA 907 F8,  
PA 1506/909 F8  
HPG 1808/1113 IF9  
PTO  
3 - 4 axles

Driven by  
Chassis



### Dimensions



# K36 XZ

## Main features

- Advantageous assembling on standard 3 - 4 axle chassis
- Self-supporting frame - torsion free FEM designed
- Placing boom B5Z 36/32, 4 sections, 125 mm pipeline diameter, "Z" folding system
- Fully hydraulic outrigger controls on both sides of the truck
- Front outriggers "X" style for a quick set-up and easy pump placement in narrow areas
- Proportional boom control
- The "BFC" Best-Flex Cifa supporting system allowing just one man to change delivery pipeline easily, quickly and safely
- Concrete flow rate regulator
- F8 pumping system with open circuit: smooth, continuous and easy movements, combined with high reliability.  
*alternatively:*  
HPG-IF pumping unit with closed circuit and reversal flow: superb performances, high pressures and output, high reliability and easy and reduced maintenance; 9 inch S valve
- Safety device on opening inspection hatch

## Standard equipment

- 2 Proportional radio control with two boom movement speed, synthesiser for automatic frequency search, 8 position joy stick and concrete flow rate regulator. 20 mt cable
- Emergency control pad for pumping unit HPG 1808/1113IF
- Remote controlled electric vibrator placed on the concrete hopper grid
- Centralized lubrication system for pumping unit
- Automatic oil lubrication system for pumping pistons on HPG 1808/1113IF
- Additional manual lubrication system for pumping unit
- Hard plastic outrigger support plates with relative housing
- Rear light on hopper
- Level readers for stabilization control
- Accessories for cleaning and pipes washing

## Optionals

- Double thickness concrete pipes, in high resistant steel
- High pressure water pump for cleaning
- Air compressor for pipeline cleaning
- Centralized lubrication system for placing boom
- Air pipeline for placing boom
- Aluminium hopper covering
- Separated emergency engine kit for independent control of the hopper mixer, concrete pumping unit, boom and water pump

## TRUCK-MOUNTED CONCRETE BOOM PUMP

**Placing boom  
Pumping unit**

B5Z 36/32  
PA 907 F8,  
PA 1506/909 F8  
HPG 1808/1113 IF9

**Driven by  
Chassis**

PTO  
3 - 4 axles

## Pumping unit technical data

MODEL		PA 907 F8	PA 1506/909 F8	HPG 1808/1113 IF9
Max. theoretical output	m <sup>3</sup> /h	87	150/90	179/105
Max. pressure on concrete	bar	73	53/95	76/130
Max. numbers of cycles per min.	nr.	31	30/17	36/21
Conc. cylinders (diam. x stroke)	mm	200x 1500	230x 2000	230x 2000
Concrete hopper capacity	l	550	550	650
Hydraulic circuit		open	open	closed

## Placing boom technical data

MODEL	B5Z 36/32	
Pipeline diameter	mm	125
Max. vertical reach	m	35,6
Max. horizontal distance	m	31,4
Min. unfolding height	m	8,6
Section numbers		4
1st section opening angle		90°
2nd section opening angle		180°
3rd section opening angle		250°
4th section opening angle		250°
Rotating angle		370°
End hose length	m	4

Technical data and characteristics subject to modifications without notice