

Hydraulic Breaker

Spare Parts List for MB 500 and MB 500 with ContiLube® II



Pt.-Id.-No. 3390 7032 01

Valid from: 07/2004 GB/US

Atlas Copco

Hydraulic Breakers

Spare Parts List for MB 500 MB 500 with ContiLube® II

© Atlas Copco Construction Tools GmbH

Atlas Copco Construction Tools GmbH

P. O. Box: Postfach 102152, 45021 Essen
Heleneustrasse 149, 45143 Essen

Federal Republic of Germany

Telephone: +49 201 633 - 0
Telefax Customer Support: +49 201 633 - 1352

Table of contents

1.	The MB 500 series of hydraulic breakers	5
2.	Working tools for MB 500	7
3.	Main dimensions and weight MB 500 V	7
4.	Percussion unit MB 500	8
4.1.	Presentation percussion unit MB 500	8
4.2.	Spare parts list percussion unit MB 500	9
5.	Hydraulic hammer MB 500	10
5.1.	Presentation hydraulic breaker MB 500 V	10
5.2.	Spare parts list for hydraulic breaker MB 500 V	11
5.3.	Hydraulic hoses for hydraulic breakers MB 500	11
6.	Lubrication on hydraulic breaker MB 500	12
6.1.	Presentation - Connecting parts for manual lubrication	12
6.2.	Spare parts list - Connecting kit for manual lubrication	12
6.3.	Presentation - Connecting parts for CL II	13
6.4.	Spare parts list - Connecting kit for ContiLube® II	13

1. The MB 500 series of hydraulic breakers

The hydraulic breaker of the **MB 500** series will be delivered with the following features:

	MB 500	MB 500 with ContiLube® II
ContiLube® II	-	X
Vibrosilenced Plus	X	X

VIBRO
SILENCED
plus

Instructions for use

Important note:

This spare parts list contains no safety regulations and is merely intended to assist in the ordering of spare parts.

For information on operating, servicing or repairing the hammer, the relevant operating manual must be consulted at all costs. Please observe the safety regulations listed in the relevant operating manual.

**Atlas Copco Construction
Tools GmbH**

Instructions of ordering

Please note the full identification number of your MB 500. This code can be found on the cylinder (part no.2)

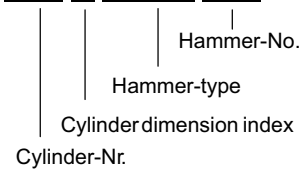
Determine the quantity of individual parts which are required and need to be ordered.

The order must indicate the following details:

- full identification code of the MB 500
- required quantity
- part ident. no
- designation

Sample spare part order:

For hydraulic breaker MB 500
0371 -0 MB 500 0016

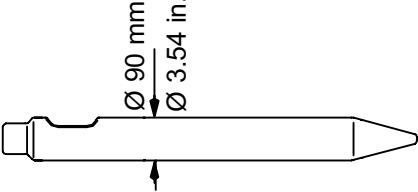
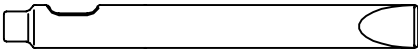


4 Tensioning bolts
Part ident no. 3362 2655 41

Important:

Please indicate the address to which the parts should be sent and the type of shipment required.

2. Working tools for MB 500

Description	Useful length mm (in.)	Weight kg (lbs)	Part ident. no.
Standard designs:			
Moil point 	450 (17.7)	38 (84)	3362 2655 65
Flat chisel cross-cut 	450 (17.7)	39 (86)	3362 2684 45
Special designs available on request:			

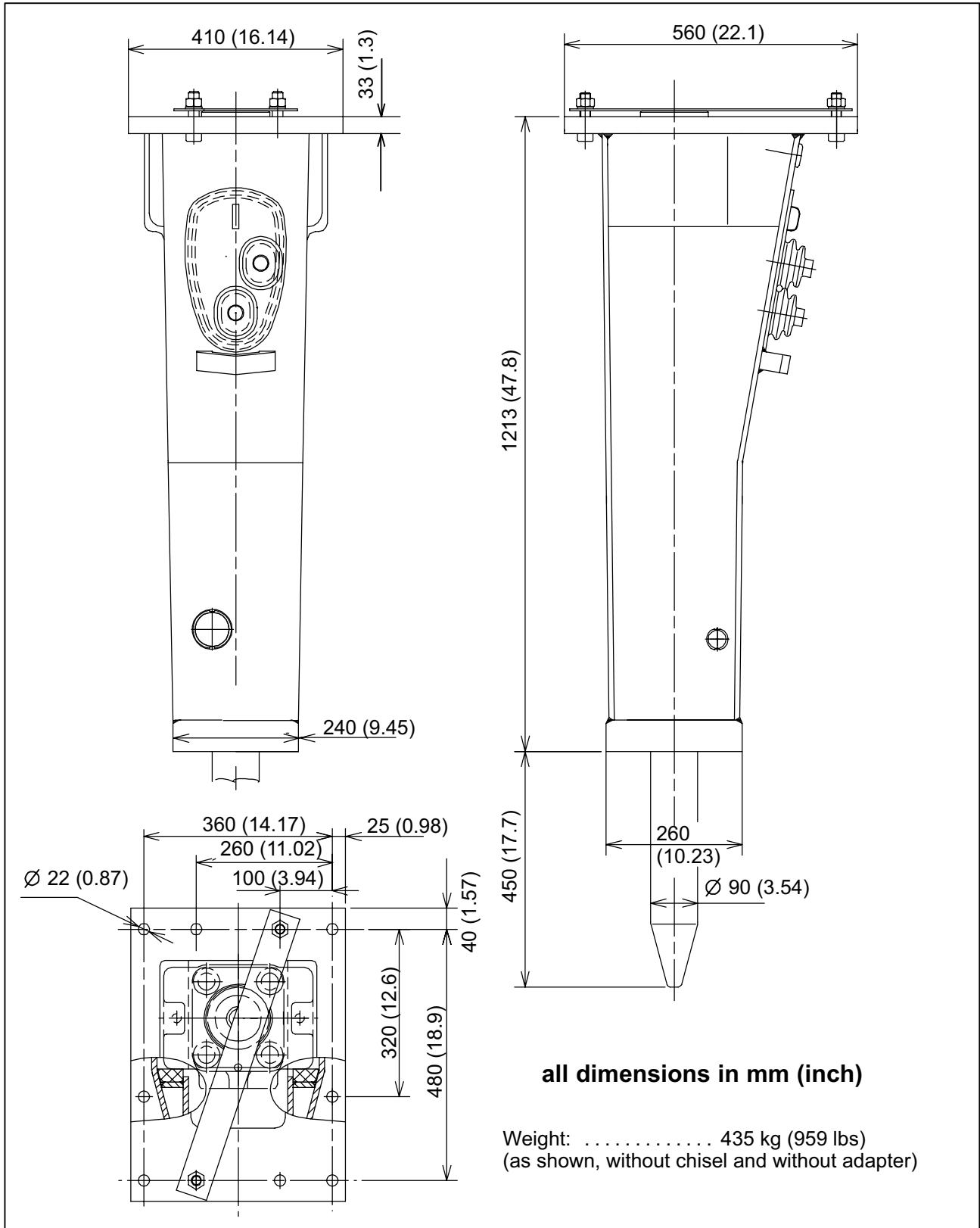
Please note:

Working tools will be subject to wear in the normal course of operations.

Chisel paste 500 g (1.1 lbs) cartridge for ContiLube® II part ident. no. 3363 0660 65

Maual grease gun for ContiLube® II part ident. no. 3363 0345 67

3. Main dimensions and weight MB 500 V

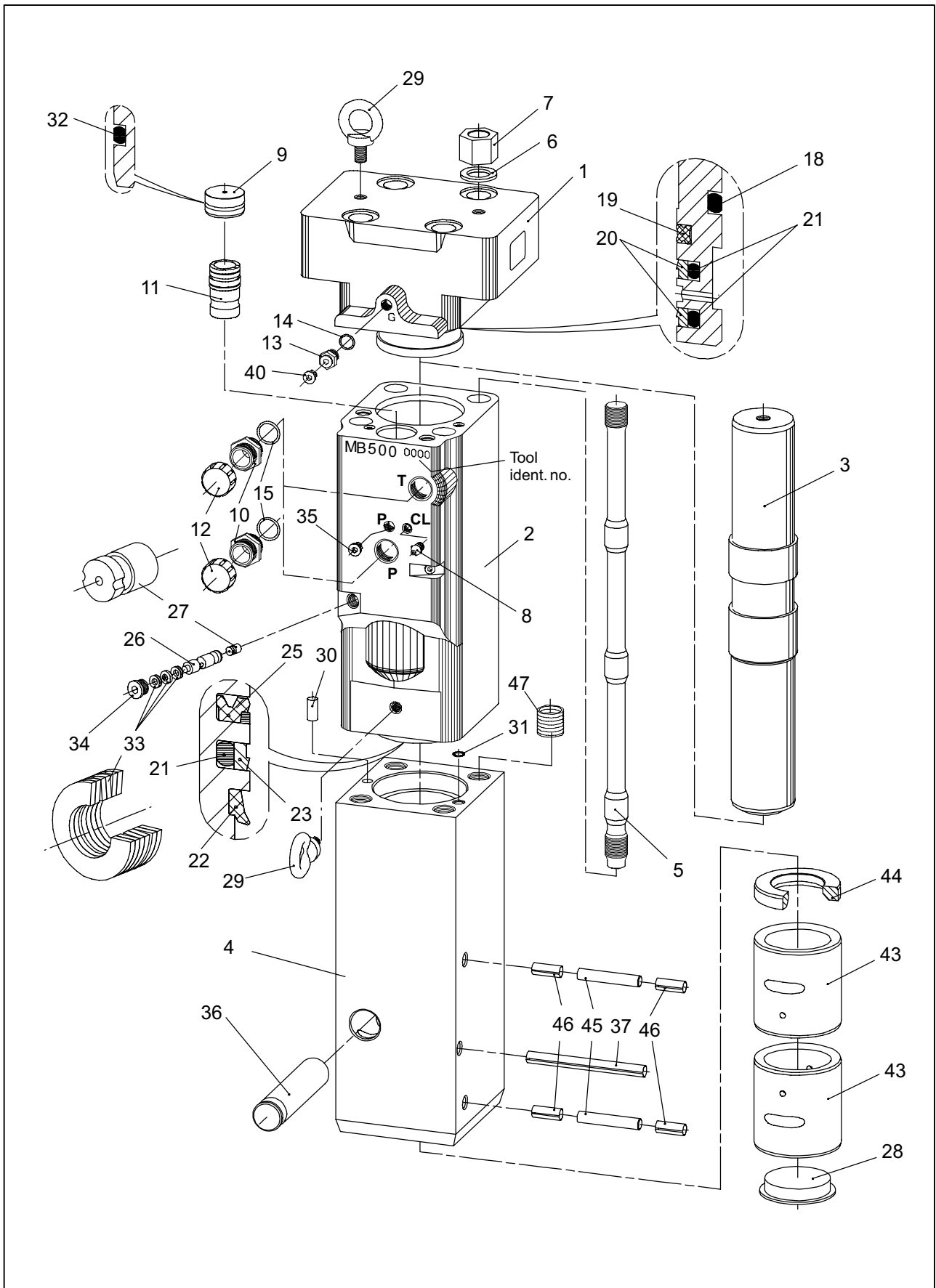


Required part-id.-nos for ordering

Part Id. No.	Designation	
3363 0901 87	Hydraulic breaker MB 500 V ,	(Version: Vibrosilenced Plus)
3363 0895 09	Hydraulic breaker MB 500 V ,	(Version: Vibrosilenced Plus with ContiLube® II)

4. Percussion unit MB 500

4.1. Presentation percussion unit MB 500



4.2. Spare parts list percussion unit MB 500

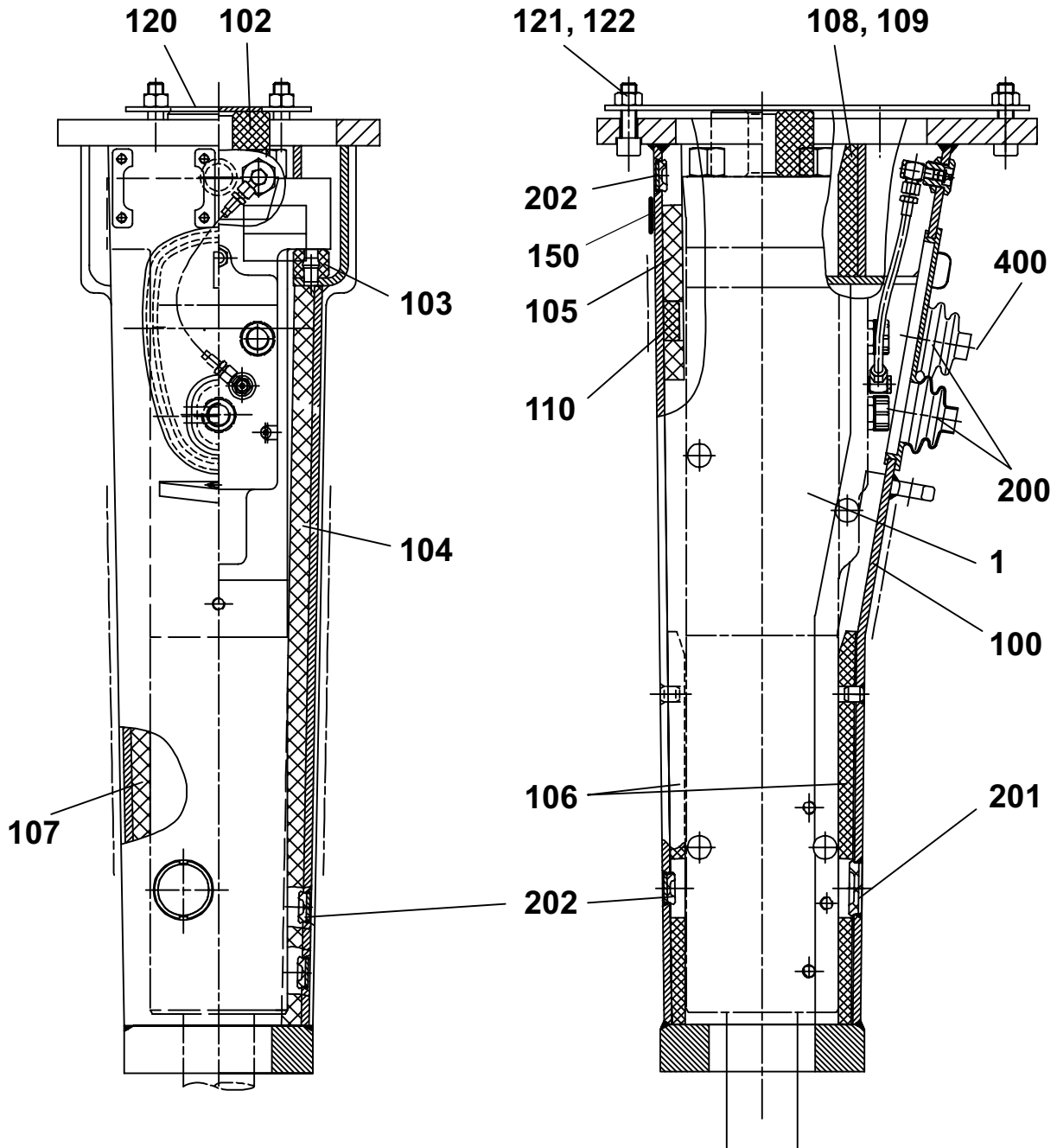
Part. no.	Part ident. no.	Qty.	Designation
	3363 0901 85	x	Percussion unit MB 500
1	3362 2655 13	1	Cylinder cover
2	3362 2655 19	1	Cylinder with parts 26, 27, 33 and 34
3	3362 2686 71	1	Percussion piston
4	3363 0701 73	1	Lower hammer part with parts 43 - 47
5	3362 2655 41	4	Tensioning bolt
6	3362 2667 88	4	Washer
7	3362 2655 45	4	Hexagonal nut
8	3360 4337 74	1	Tapered lubricating nipple
9	3362 2655 51	1	Cap
10	3360 4781 90	2	Screw connection (male thread) with part 15
11	3362 2655 47	1	Control slide valve
12	3361 3534 87	2	Screw cap
13	3363 0872 86	1	Filling valve with parts 14 and 40
14 ★	3360 1751 25	1	O-ring
15 ★	3360 3145 51	2	O-ring
18 ★	3361 0315 47	1	O-ring
19 ★	3362 2667 89	1	Quadring seal
20 ★	3362 2668 00	2	Slide ring seal
21 ★	3361 3291 09	3	O-ring
22 ★	3362 2667 92	1	Stripper
23 ★	3362 2668 02	1	Slide ring seal
25 ★	3362 2676 98	1	Seal ring
26	3362 2655 61	1	Valve bushing
27	3362 2691 75	1	Valve piston
28	3362 2667 90	1	Protective plug
29	3360 2065 96	2	Ring bolt
30	3360 1067 84	1	Dowel pin
31 ★	3360 3145 21	1	O-ring
32 ★	3360 3144 94	1	O-ring
33	3361 0315 42	6	Plate spring
34	3360 1078 84	1	Screw plug
35	3363 0669 63	1	Screw plug
36 ★	3362 2655 55	1	Holding pin
37 ★	3361 0314 62	1	Locking pin
40	3360 4784 26	1	Screw plug
43 ★	3363 0901 01	2	Wear bush
44 ★	3363 0690 71	1	Buffer ring
45 ★	3362 2655 53	2	Locking pin
46 ★	3360 1005 35	4	Spring dowel sleeve
47	3362 3280 53	4	Treaded insert
- ★	3362 2677 01	1	Set of seals

Parts marked with ★ will be subject to wear in the normal course of operations.
When ordering spare parts please do not forget to state the tool ident. no.

5. Hydraulic hammer MB 500

5.1. Presentation hydraulic breaker MB 500 V

Parts for manual lubrication, see page 12.
Parts for lubrication with CL II, see page 13.



Attachment to an existing carrier requires an additional adapter matching the carrier in question.

5.2. Spare parts list for hydraulic breaker MB 500

Part no.	Part ident. no.	Quantity	Designation
x	3363 0901 87	x -	Hydraulic breaker MB 500
x	3363 0895 09	- x	Hydraulic breaker MB 500 with ContiLube® II
1	3363 0901 85	1	Percussion unit MB 500
-	3363 0671 23	- 1	ContiLube® II (see separate Operating Instructions)
-	3363 0852 48	- 1	Connecting kit for ContiLube® II (see page 13)

Spare parts list for hammer box MB 500

100	3363 0905 69	1	Hammer box
102 ★	3362 2694 13	1	Elastic pad
103 ★	3361 8522 37	2	Shock absorber
104 ★	3363 0905 73	1	Guide plate
105 ★	3363 0680 55	1	Guide plate
106 ★	3363 0680 53	2	Guide plate
107 ★	3363 0897 17	1	Dust collar
108 ★	3363 0680 57	1	Plate
109 ★	3363 0680 59	1	Plate
110 ★	3363 0680 69	1	Spacer plate
120	3361 8557 79	1	Transport safety device
121	3360 0267 86	2	Hexagonal socket head screw
122	3360 1032 51	2	Hexagonal nut
150	3363 0895 67	1	CE nameplate
- ★	3363 0897 00	1	Set of plastic parts with parts 101-110

Parts for hammer box MB 500 (additional parts for Vibrosilenced Plus)

200 ★	3362 2679 02	1	Cover plate
201 ★	3362 2678 93	1	Sealing plug
203 ★	3362 2678 97	6	Sealing plug

Contained in the adapter

111	3360 0267 88	10	Hexagonal socket head screw
112	3361 8507 48	10	Lock washer
113	3362 1032 51	10	Hexagonal nut

Parts marked with ★ will be subject to wear in the normal course of operations.

When ordering spare parts please do not forget to state the tool ident. no.

Note:

When a hammer box assembly is ordered, a loose CE nameplate is included in the consignment in accordance with European CE legislation. The weight stated on the adhesive nameplate refers to the weight of the hydraulic hammer plus hammer box (not including connector and tool).

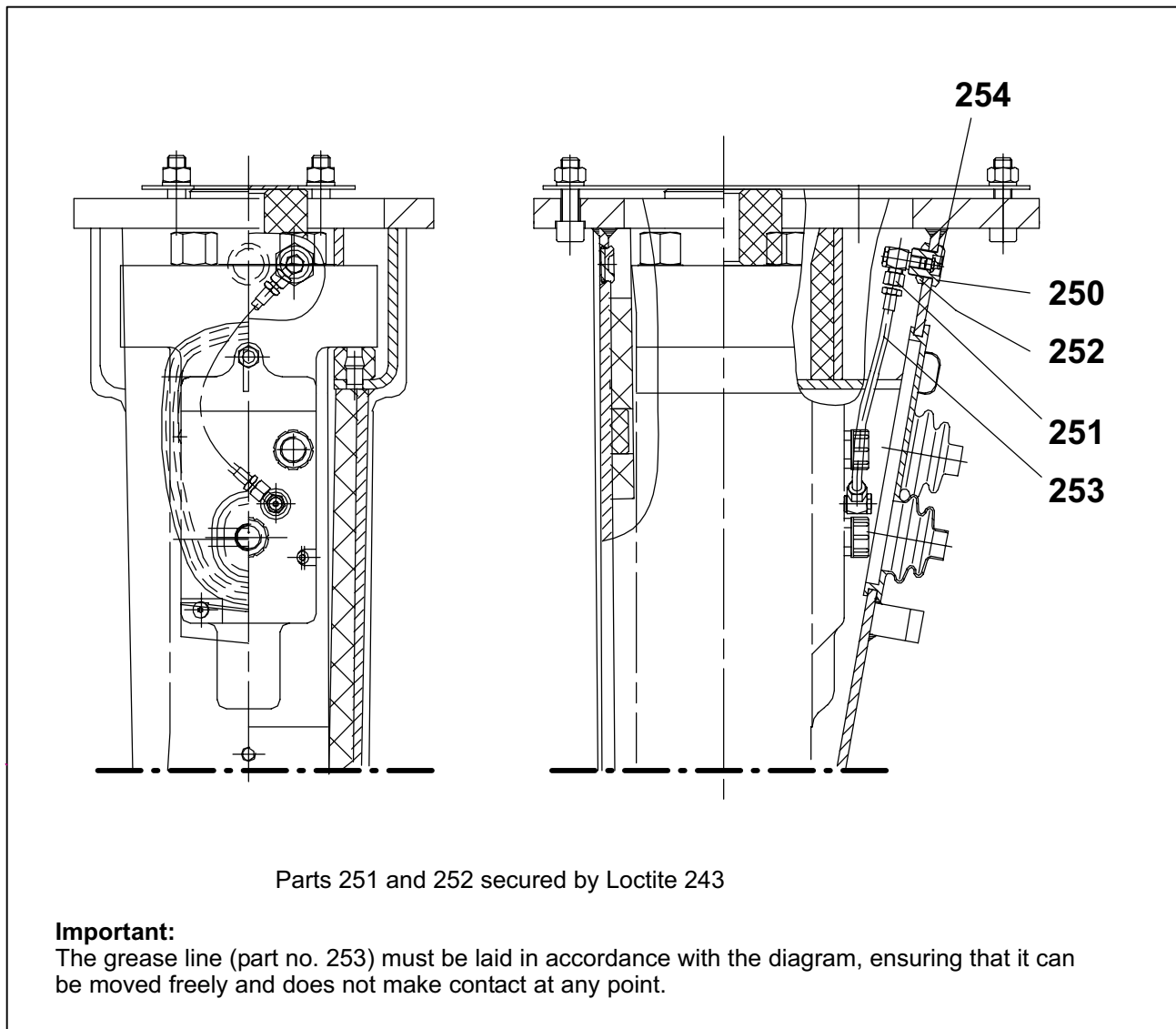
After the hydraulic hammer and the hammer box have been assembled the CE nameplate should be attached to rear of the hammer box (see Section 3 of the operating manual). Only then may the complete unit be used.

5.3. Hydraulic hoses for hydraulic breakers MB 500

400	3360 3322 94	2	Hydraulic hose, I. D. 20 (3/4"), M 36 x 2, L = 2300 mm (91 in.)
-----	--------------	---	---

6. Lubrication on hydraulic breaker MB 500

6.1. Presentation - Connecting parts for manual lubrication



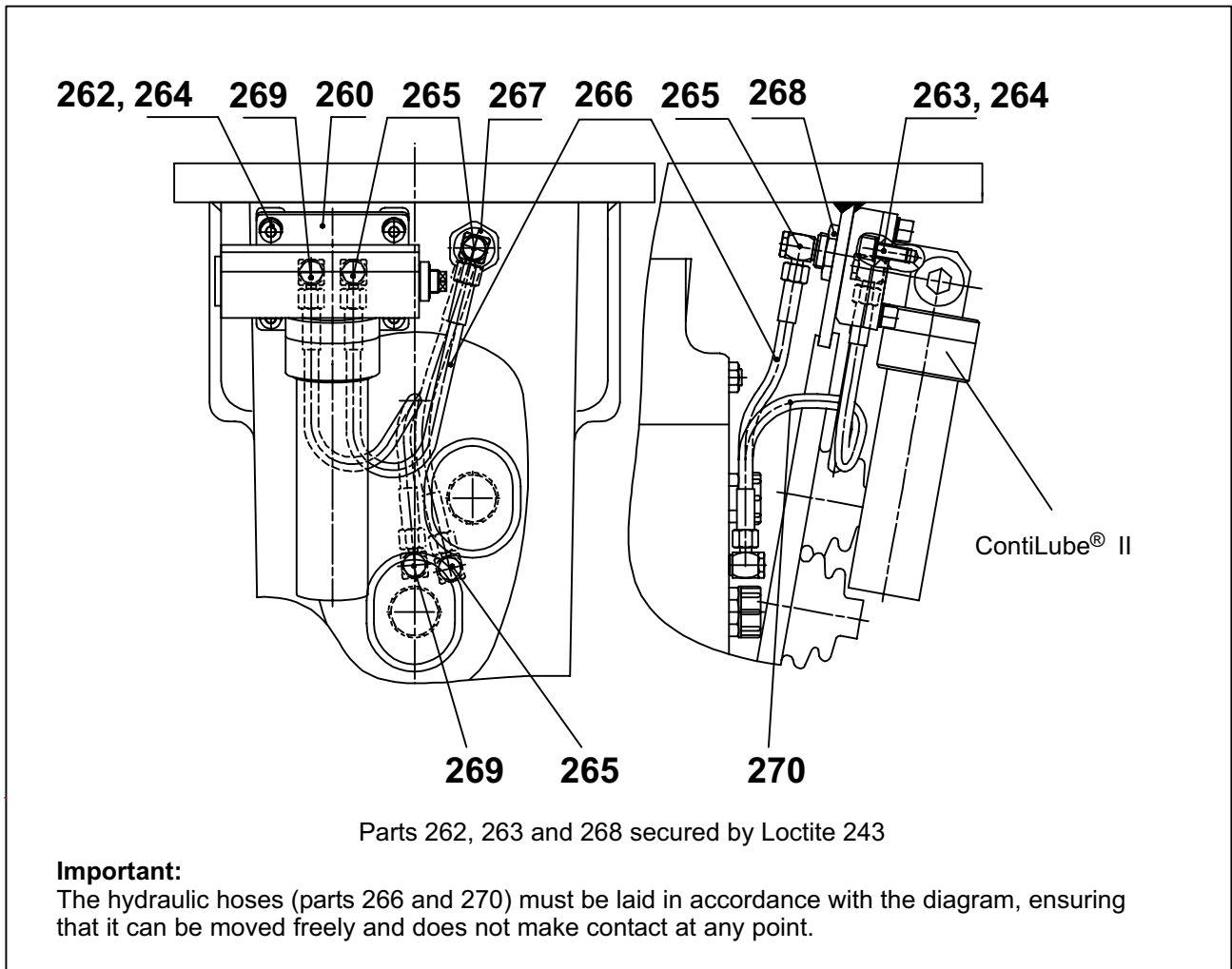
6.2. Spare parts list - Connecting kit for manual lubrication

Part No.	Pt.-Id.-No.	Quantity	Designation
	3363 0897 02	x	Connection kit for manual lubrication
250	3362 2698 57	1	Adapter
251	3363 0662 33	2	Fitting
252	3362 3281 38	1	Nut
253 ★	3363 0322 713	1	Hose
254	3360 4337 74	1	Grease nipple
-	3361 0316 66	1	Loctite 243

Parts marked with ★ will be subject to wear in the normal course of operations.

When ordering spare parts please do not forget to state the tool ident. no. as well as the Pt.-Id.-No. of the hammer box and its revision index.

6.3. Presentation - Connecting parts for CL II



6.4. Spare parts list - Connecting kit for ContiLube® II

Part No.	Pt.-Id.-No.	Quantity	Designation
	3363 0897 19	x	Connection kit for ContiLube® II
260	3363 0673 33	1	Adapter plate
262	3360 0265 11	4	Cylindrical bolt
263	3360 1037 51	4	Cylindrical bolt
264	3361 8505 96	8	Pair of locking rings
265	3363 0662 33	4	Fitting
266★	3363 0838 75	2	Hose
267	3362 2698 59	1	Adapter
268	3362 3281 38	1	Nut
269	3363 0662 34	2	Fitting
270★	3363 0838 80	1	Hose
-	3361 0316 66	1	Loctite 243

Parts marked with ★ will be subject to wear in the normal course of operations.

When ordering spare parts please do not forget to state the tool ident. no. as well as the Pt.-Id.-No. of the hammer box and its revision index.

Notes:

Atlas Copco Construction Tools GmbH
Heleneustrasse 149 • 45143 Essen
P. O. Box: Postfach 10 21 52 • 45021 Essen
Federal Republic of Germany
Telephone +49 201 633 - 0
Telefax Customer Support +49 201 633 - 1352
Internet: www.atlascopco.com

Your partner:

Atlas Copco